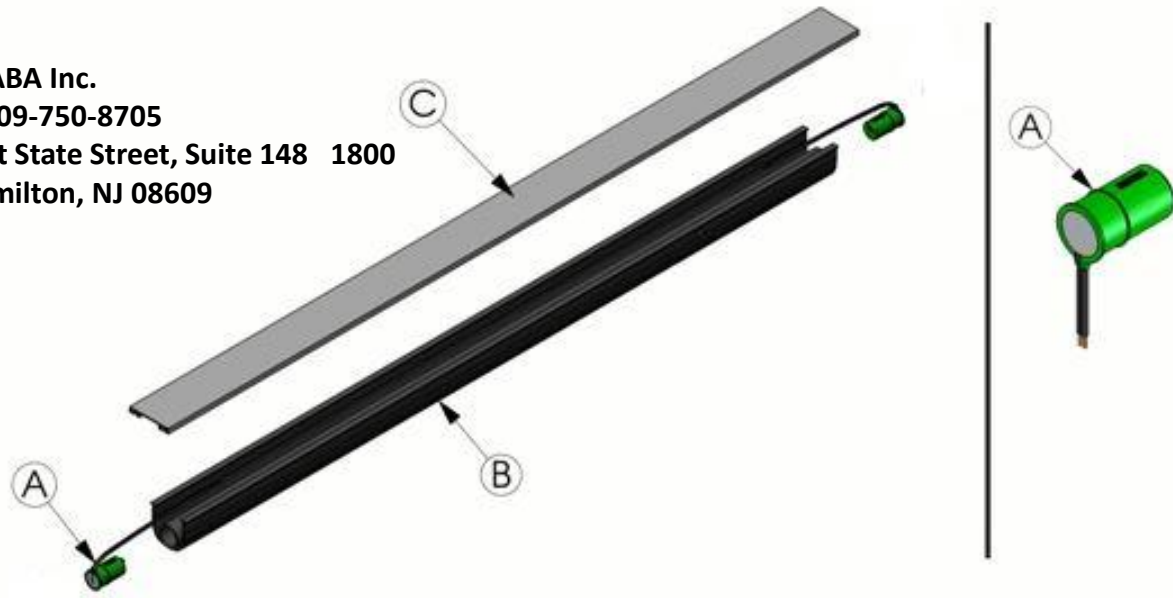


Recommended additional Safety Hardware:

Vitector Fraba: Center closing edge

Sensors (A)	Art.No. 10007717-2	OSE-S 1500
Rubber Profile (B)	Art.No. 75142050-2	OSE-P 25 30 00
Aluminum Profile (C)	Art.No. 79221000-2	ALU-2509
Control Unit	Art.No. 75111007-2	OSE-C 1001

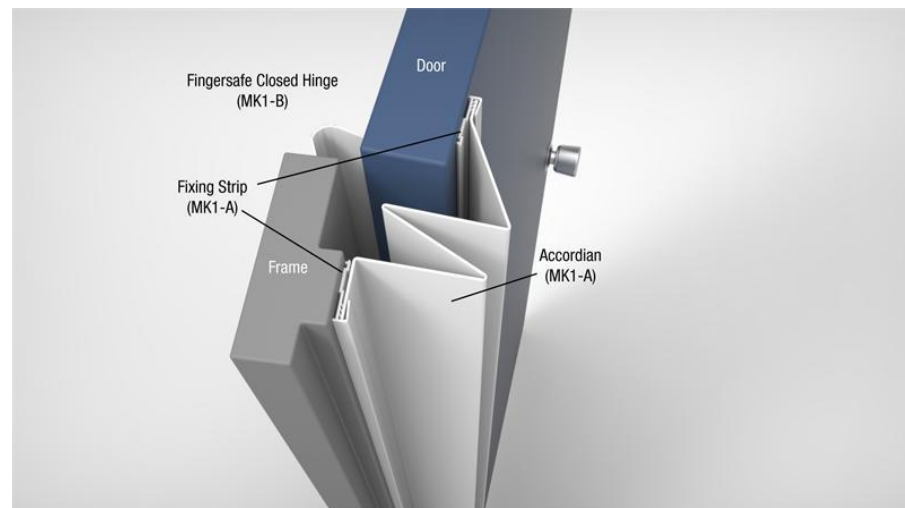
FRABA Inc.  
1-609-750-8705  
East State Street, Suite 148 1800  
Hamilton, NJ 08609



Fingersafe USA Inc.:

Fingersafe® is a door hinge guard that prevents fingers from being pinched or crushed at the hinged end of doors.

Fingersafe®USA  
(888) 346-4723  
115 West Oglethorpe Ave.  
P.O. Box 8777  
Savannah, Georgia 31412  
Email: [orders@fingersafe.com](mailto:orders@fingersafe.com)



# Swing Door Fitting

It converts the SOMMER synoris to a swing door opener



Allows the installer to modify the SOMMER synoris garage door opener to use on a swing door application by providing a **fast and simple installation.**

The fitting fits easily onto the existing motor and allows swing doors to open up to a **9 ft. door opening.**

Included are the swing arms and all fittings for the installation. The opener's safety photo eyes will properly work to ensure the right direction for the swing door operation.

## SWING DOOR FITTING

(Part Number 1501V000)

- economical option for swing doors
- converts the SOMMER synoris to a swing door opener
- photo eyes work in proper direction for swing doors
- for doors up to 9 ft. opening
- adjustable fitting

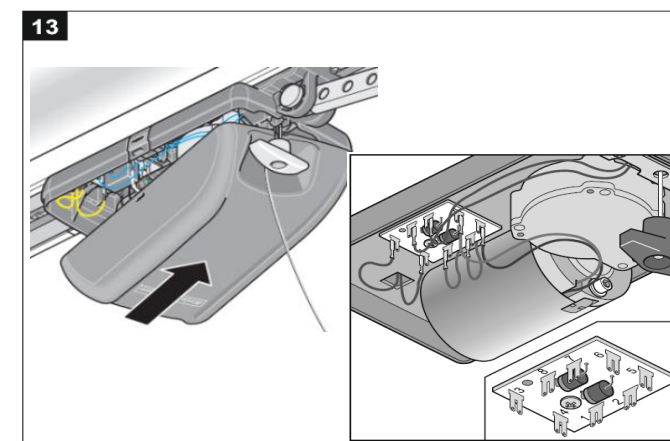
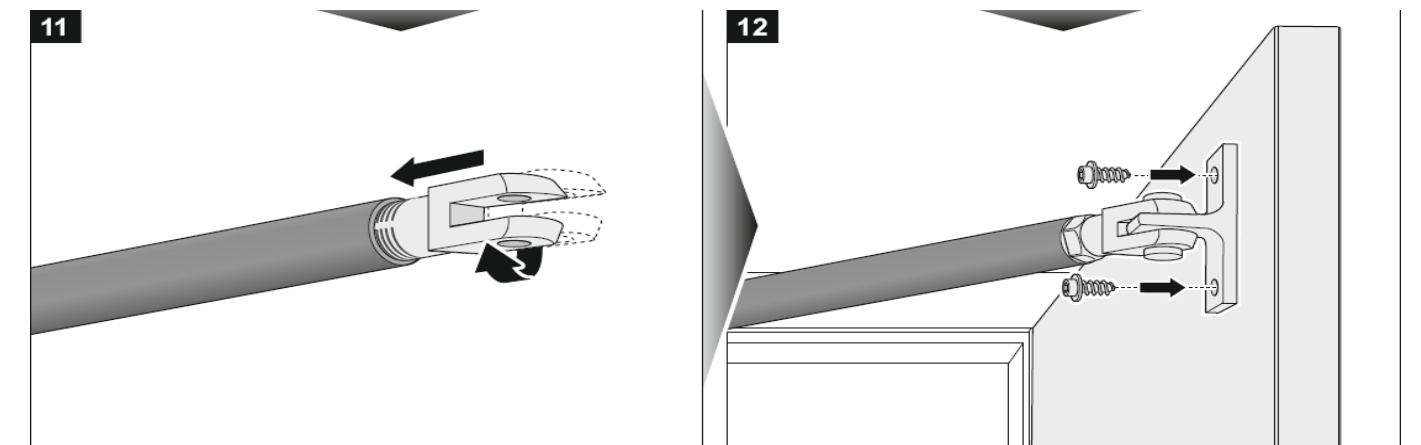
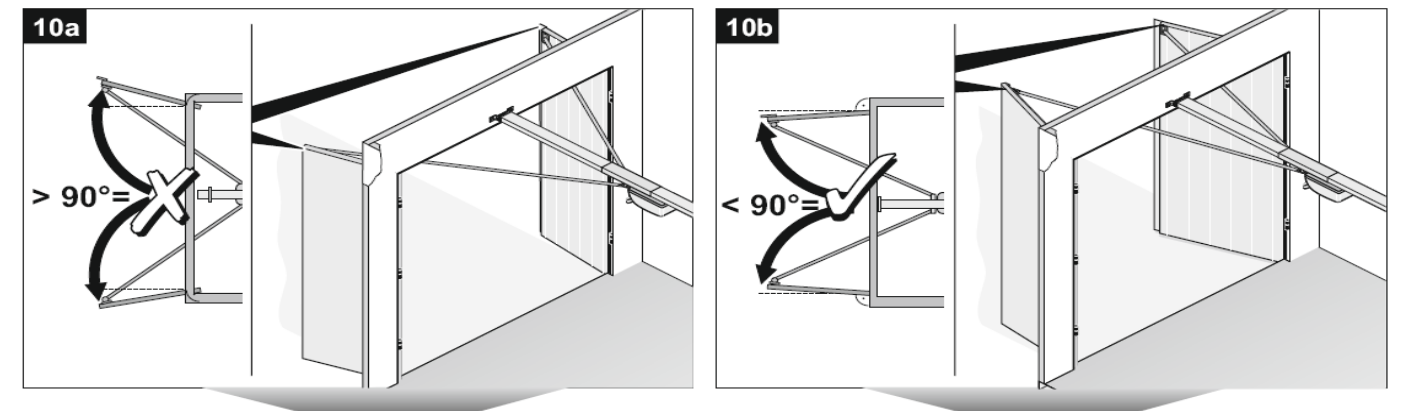
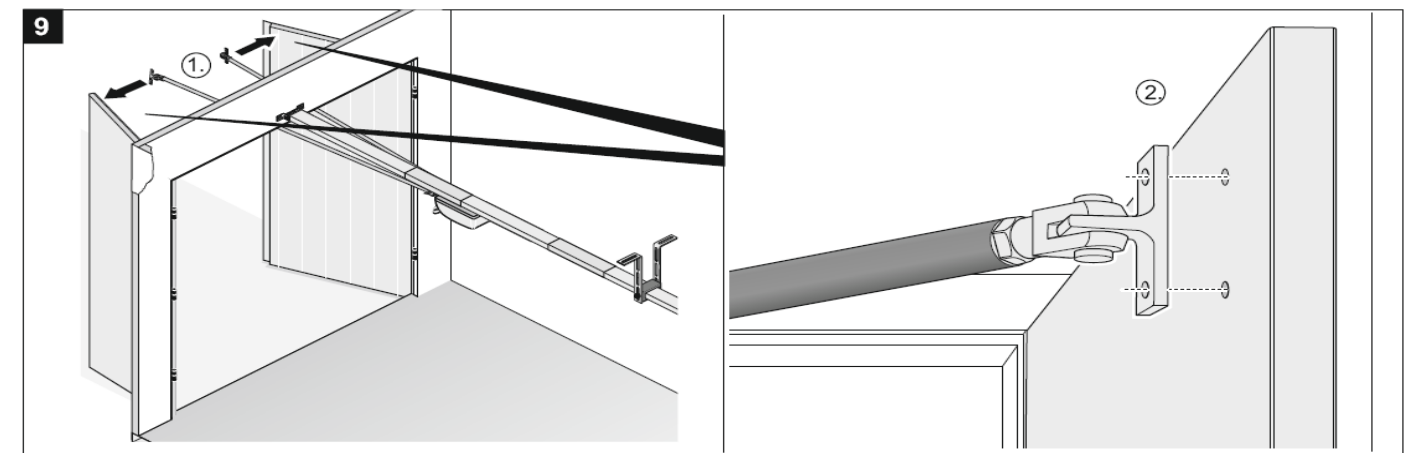
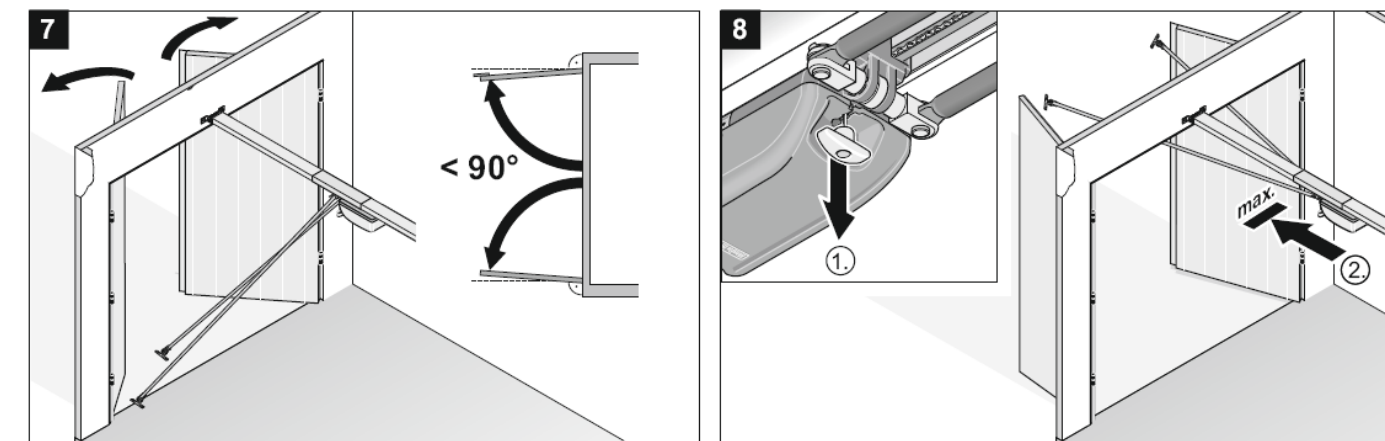
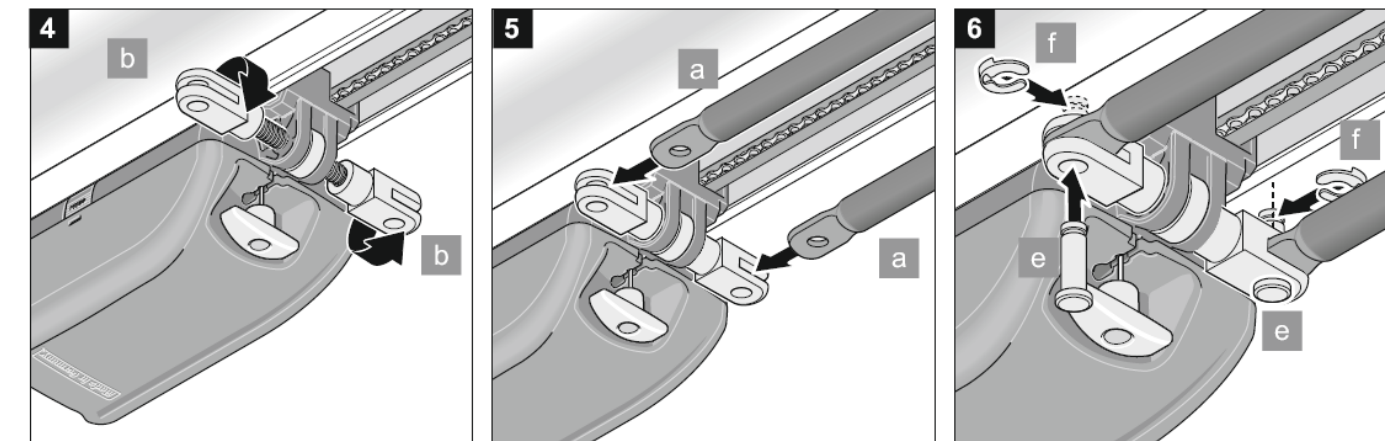
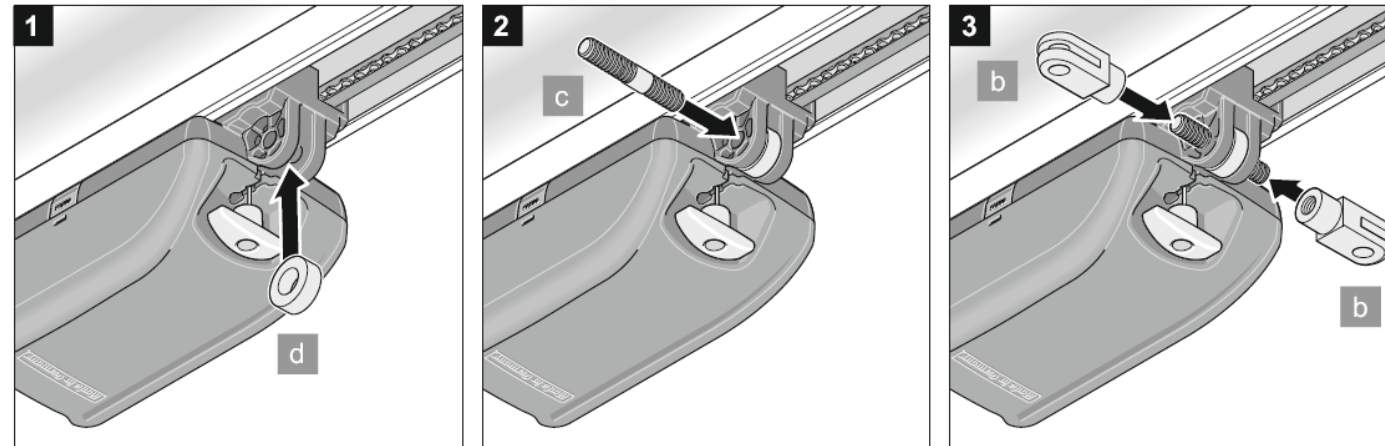
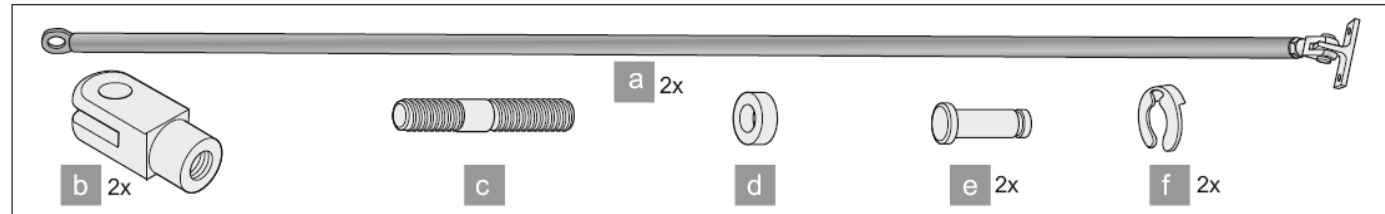


**SOMMER**

SOMMER USA, Inc.

[sommer-usa.com](http://sommer-usa.com)  
1-877-766-6607

**Manual**  
**Swing Door Fitting no. 1501**



**Important modification**

To allow the opener to work properly on a swing door, you must switch two wires in the motor carriage:

- Remove carriage (motor) cover
- Remove the blue wire from terminal 1 and put it on terminal 2, then remove the brown wire from terminal 2 and put it on terminal 1